

PATENT SPECIFICATION



Application Date : Oct. 26, 1929. No. 32,540 / 29.

335,771

Complete Left : July 17, 1930.

Complete Accepted : Oct. 2, 1930.

PROVISIONAL SPECIFICATION.

Improvements in and relating to Automatic Self Delivering Cigarette and Cigar Boxes, Cases, Cabinets, Caskets and the like.

I, GEORGE HENRY DOWNES, of 43, Oxley Lane, North Road, Wolverhampton, Staffs., a subject of the King of Great Britain and Ireland, do hereby declare the nature of this invention to be as follows:—

This invention relates to Cigarette and Cigar Boxes, Cases, Cabinets, Caskets, and has for its object the means of automatic self delivery of Cigarettes and Cigars from same.

The present invention comprises essentially a Box, Case, Cabinet, Casket, with four legs, or similar supports attached to the body thereof, and made to hold about twenty-five, fifty, or a larger number of Cigarettes or Cigars, if required, and having a sloping or inclined bottom (not fiat) made at a suitable angle and sloping from each end, inwards, and centrally, to meet a downward slot, placed or situated centrally between the two ends, and about the depth of the diameter of three, or four Cigarettes or Cigars, and about the width and length of same, and at right angles to that of the sides of the Cabinet, or Casket, this slot having an aperture or opening of a suitable size at the bottom and front end of said slot, to allow the thumb and finger to extract a Cigarette or Cigar from the bottom of the said slot when required; and by such extraction another Cigarette or Cigar falls into the bottom of the above mentioned slot and takes the place of the one extracted.

by the Cigarettes or Cigars, falling or rolling down the inclined bottom, into the central downward slot from the body of the Cabinet or Casket when filled by their own weight, thereby being self delivering, also automatic and simple in its action, there being no mechanism to get out of order.

The Cabinet or Casket when filled with Cigarettes or Cigars, also fills the said slot (one Cigarette or Cigar on top of another) and by extracting the bottom one, from the slot, allows another to fall or drop in its place as above described from the body of the Cabinet or Casket by its own weight.

These Cabinets or Caskets as herein described are preferably for table use, but same could be made for use on walls, in Motor and other vehicles, etc. by dispensing with the legs or supports and substituting a suitable fitment or fitments, whereby same can be suspended, they could also be made in larger sizes, and having two, three, or four slots and corresponding inclines for use in Clubs, Hotels, etc., for the purpose of supplying two, three, or four persons at the same time, thus delivery being accelerated. It could also be made in metal, wood, cardboard, papier-machie, glass, or any other suitable material.

Dated the 25th day of October, 1929.
GEORGE HENRY DOWNES.

COMPLETE SPECIFICATION.

Improvements in and relating to Automatic Self Delivering Cigarette and Cigar Boxes, Cases, Cabinets, Caskets and the like.

I, GEORGE HENRY DOWNES, of 43, Oxley Lane, North Road, Wolverhampton, Staffs., a subject of the King of Great Britain and Ireland, do hereby declare the nature of this invention and in what [Price 1/-]

manner the same is to be performed, to be particularly described and ascertained in and by the following statement:—

This invention relates to boxes or other containers for holding cigarettes and

other articles of the kind in which the container is adapted to be supported in a definite position and is adapted to deliver the cigarettes or other articles one by one, as distinct from containers for holding cigarettes or matches and intended for carrying in the pocket.

The object of the present invention is to provide a box of the above class for containing cigarettes or other articles from which the cigarettes or the like can be more readily extracted than hitherto.

It has hitherto been proposed to construct containers for cigarettes or matches of the kind intended for carrying in the pocket, with inclined sides terminating in an opening through which the cigarettes or matches could be withdrawn one at a time, such containers having no means for supporting them in a definite position when in use.

In accordance with the present invention I provide a box or other container for holding cigarettes or other articles and delivering them one by one, having means for supporting it in a definite position, the box or container having an inclined bottom or base terminating in one or more recesses or wells disposed at a lower level than the bottom of the box or container into which the cigarettes or the like can fall, each recess or well being open at one or both ends either temporarily or permanently to enable the cigarettes or the like to be delivered one at a time. The recess or well when open at both ends enables a cigarette to be extracted from either side of the box, or if desired, the recess or well may be closed normally by means of a door or other closure member.

In order that my invention may be clearly understood and more readily carried into practice, I have appended hereunto one sheet of drawings, illustrating the same, wherein:—

Figure 1 is a perspective view of my invention applied to a casket of ornamental form for containing cigarettes.

Figure 2 is a longitudinal section of same to an enlarged scale.

Figure 3 is a transverse vertical section of same to an enlarged scale upon line 3—3 in Figure 2.

Figure 4 is a similar section illustrating a modified form.

In the construction illustrated by Figures 1 to 3 of the accompanying drawings, the box or container in the construction shown is in the form of an ornamental casket 1, the two halves of the base or bottom portion 2 being inclined downwardly towards each other and terminating in a substantially vertical recess or well 3 into which the cigarettes or other articles 4 are adapted to roll.

The recess or well 3 is of sufficient width to enable a cigarette or other article to enter readily, the walls of the recess or well being preferably radiused at 5 to ensure the free passage of the cigarettes or other articles.

The recess or well is preferably of a sufficient depth to receive at least two cigarettes disposed one above the other so as to avoid any possibility of the cigarettes jamming in the well or recess when one is withdrawn.

The walls of the well or recess are cut away at each end as at 6 to allow of the insertion of the fingers to enable a cigarette to be grasped readily and withdrawn, the action of withdrawing a cigarette causing the next cigarette which is directly above in the well to fall down to the bottom into a position in which it can be subsequently withdrawn.

The box or container is provided with a detachable lid 7 having a downwardly projecting flange 8 upon its lower surface.

The box is further provided with downwardly projecting legs 9 for supporting it upon a horizontal surface.

In the modified arrangement illustrated by Figure 4, the well or recess 3 is closed at one end and is adapted to be closed normally at the opposite end by means of a door or closure member 10 which is hinged at 11 upon its underside.

The door or closure member is held closed normally by means of a spring catch 12, the upper end of which is bent at 13 to engage a recess in the forward face of the box.

The well or recess is otherwise of a similar construction to that shown in Figures 1 to 3.

If it is desired to withdraw a cigarette from a box constructed in accordance with Figure 4, the spring catch is first released thus enabling the door or closure member to fall down and expose a cigarette to view, the cigarette being grasped readily by the fingers and withdrawn.

The box or other container may be constructed from metal, papier mache, wood, synthetic resin, glass or any other suitable material, and may, if desired, instead of being provided with supporting legs, be provided with any other suitable supporting device which will enable it to be supported upon a substantially vertical surface in which case it may be employed readily in motor cars or other vehicles.

If desired, instead of a single well or recess being provided, the box or other container may be provided with a number of such wells or recesses so as to adapt the box or container for delivering a plurality of cigarettes at one time, this being particularly desirable when the

device is intended for use in clubs, hotels and other similar places.

5 Instead of the two parts of the base or bottom being each substantially flat and inclined downwardly they may be curved, whilst the recess or well instead of being situated at the centre of the box or container may be disposed at one end of same.

10 The halves or portions of the base or bottom portion 2 may be inclined downwardly at different angles, whilst further one side of the recess or well may be relatively deeper than the opposite side to facilitate the entry of the cigarettes or other articles thereto.

15 Although my invention is shown as being applied to a box for containing cigarettes, it may, nevertheless, be employed for containing cigars or other relatively small articles of a similar nature.

20 Having now particularly described and ascertained the nature of my said invention and in what manner the same is to be performed, I declare that what I claim is:—

25 1. A box or other container for holding cigarettes or other articles and delivering them one by one, having means for supporting it in a definite position, the box or container having an inclined bottom or base terminating in one or more recesses or wells disposed at a lower level than the bottom of the box or container into which the cigarettes or the like can fall, each recess or well being open at one or both ends either temporarily or permanently to enable the cigarettes or the like to be removed one at a time.

30 2. A box or other container for holding cigarettes or other articles, and delivering them one by one, having means for supporting it in a definite position, the box or container having a downwardly inclined bottom terminating in a substan-

45 tially vertical well or recess disposed at a lower level than the bottom of the box or container into which the cigarettes can roll in succession the well being open at one or both ends either permanently or provided with a closable door, the lower-
50 most cigarette projecting from the well so that it can be grasped readily by the fingers and withdrawn.

3. A box or other container for holding cigarettes or other articles according to Claim 1 or 2, wherein the two halves of the base or bottom of the box are inclined towards each other and form a chute at the bottom of which the recess or well is disposed.

4. A box or other container for holding cigarettes or other articles according to any of the preceding claims, wherein the walls of the recess or well are cut away at both ends upon the underside to enable a cigarette to be extracted from either side of the container.

5. A box or other container for holding cigarettes or other articles according to Claims 1 to 3, wherein the recess or well is closed normally by means of a hinged door or closure member.

6. A box or other container for cigarettes or other articles according to Claim 5, wherein the door is closed normally by means of a spring catch.

7. A box or other container for cigarettes or other articles substantially as described with reference to the accompanying drawings.

Dated the 8th day of July, 1930.

FORRESTER, KETLEY & Co.,

Chartered Patent Agents,
Central House, 75, New Street,
Birmingham,

and

Jessel Chambers 88/90, Chancery Lane,
London, W.C.2.

FIG.1.

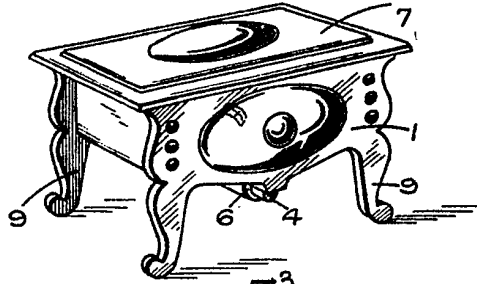


FIG.2.

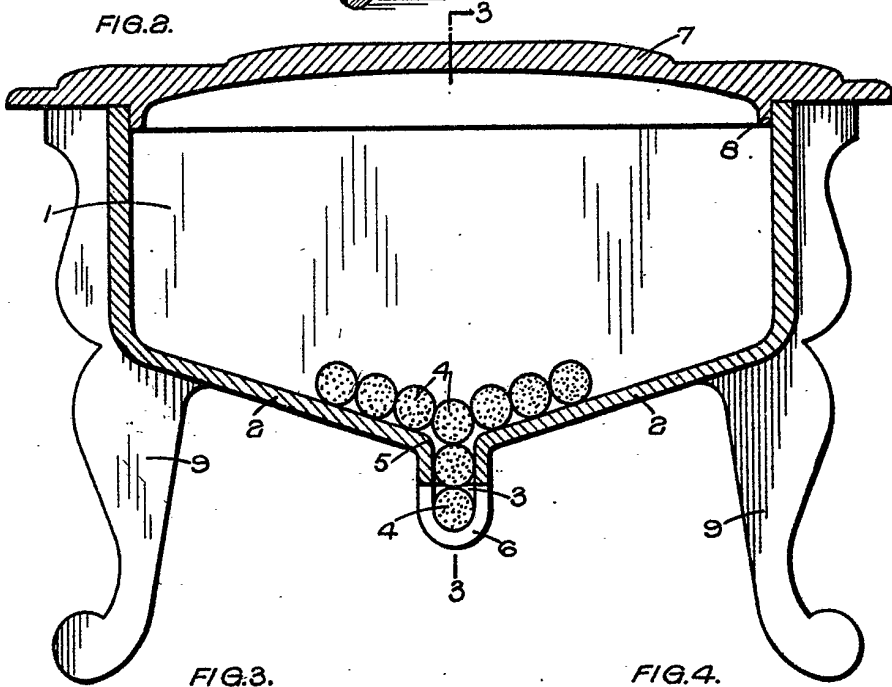


FIG.3.

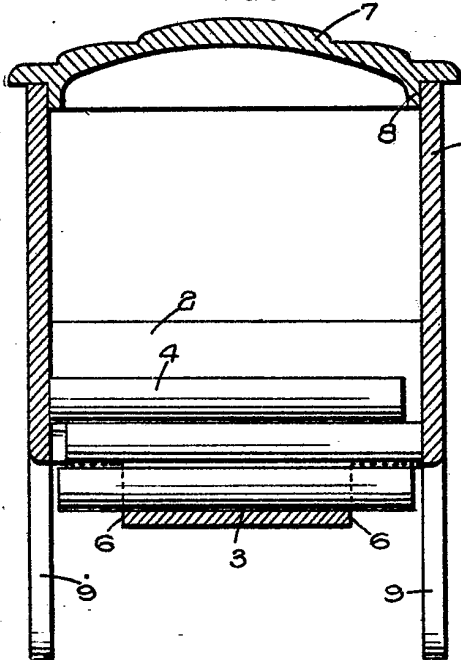
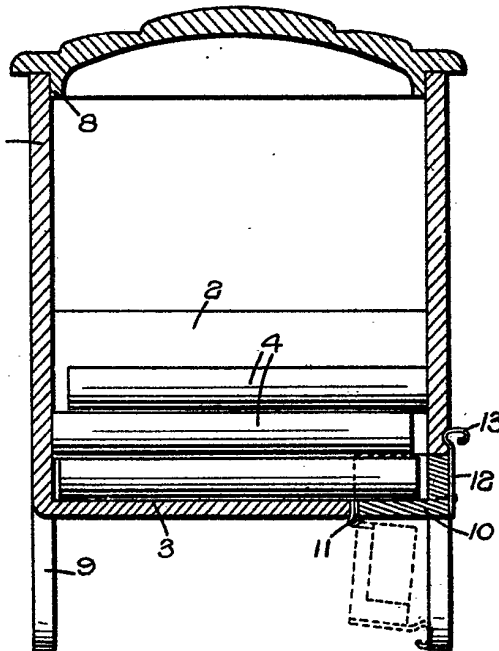


FIG.4.



[This Drawing is a reproduction of the Original on a reduced scale.]