

PATENT SPECIFICATION



Application Date: March 1, 1932. No. 6153/32.

384,493

Complete Accepted: Dec. 8, 1932.

COMPLETE SPECIFICATION.

Improvements relating to Shelving.

We, BROOKES & ADAMS, LIMITED, a Company organised under the Laws of Great Britain, of 250 to 252, Barr Street, Hockley, Birmingham, in the County of Warwick, and HERBERT LESLIE BROOKES, a Subject of the King of Great Britain, of the same address, do hereby declare the nature of this invention and in what manner the same is to be performed, to be particularly described and ascertained in and by the following statement:—

This invention relates to shelving and is applicable to shelving generally although primarily intended for application to light shelving for use in ship's cabins, caravans or in houses.

The shelving constructed in accordance with the present invention may be made of any suitable material but is particularly adapted for production in moulded material such as synthetic resin.

The object of the present invention is to construct shelving sectionally so that any one section alone has a complete and finished appearance but can readily and economically be added to or extended.

According to the present invention the shelving consists of shelves and brackets for supporting them, the shelves having projections at their ends and the brackets having openings for receiving said projections, the openings in each bracket being adapted to receive the projections on the ends of two shelves, one on each side of the bracket.

The projections on the two ends of each shelf may be staggered in relation to each other, for example, one end may have a single projection at the centre, while the other end has two projections spaced apart by a distance not less than the width of the single projection at the opposite end. In such an arrangement the single projection may be thicker than the two projections at the opposite end, and the openings in the brackets may be correspondingly shaped so that that end of the shelf which is provided with a single projection engaging the centre part of an opening in the bracket is prevented from sliding movement backwardly or forwardly by reason of the fact that the single projection and the corresponding

part of the slot in the bracket is thicker or wider than the two projections or portions of the bracket slot corresponding therewith. 55

In order that our invention may be clearly understood and more readily carried into practice, we have appended hereto one sheet of drawings illustrating the same, wherein:— 60

Figure 1 is a perspective view showing one form of the present invention.

Figure 2 is a side view partly in section. 65

Figure 3 is a sectional plan view.

Figure 4 is a cross section through one of the shelves.

Figure 5 is a sectional view showing a detail of construction. 70

Figure 6 illustrates a modification.

In the construction illustrated, each bracket is provided with an attachment portion 1 which is thickened at its upper and lower ends 2 and 3, these ends being provided with holes for receiving attachment screws. 75

Each bracket further consists of an upper panel portion 4 which serves as a partition between each pair of shelves and a lower web portion 5 in which is an opening 6. 80

At one corner the panel portion 4 is provided with a hole 7, the purpose of which will presently be described. 85

Between the upper portion 4 and the web portion 5 the bracket is formed with a horizontal slot 8 having a centre part 9 which is wider than the two end portions 10. 90

Instead of providing a single slot 8 in the bracket, three independent slots 14, 15, and 16 may be provided, in which case the slots may be all of the same width. 95

The shelves each comprise a rectangular plate, board or moulding 11 having around three edges an upstanding lip or flange 12 and having at its rear edge a downwardly projecting rib 13. The flange 12 and the rib 13 impart stiffness to the construction, while the flange 12 in addition will prevent articles from sliding forwardly off the shelf. 105

In the construction illustrated in

[Price 1/-]

Price 2/6

Figures 1 to 4, each shelf is provided with two projections 17 at one end and a single central projection 18 at the opposite end, the distance between the projections 17 being equal to the width of the projection 18. The projection 18 is made thicker than are the projections 17.

The object of making the projection 18 thicker than the projection 17 is to enable it to fit in the widened part 9 of the slot 8 so that the shelf will be retained against horizontal sliding movement backwards or forwards in cases where the parts 10 of the bracket slot are not occupied by the projections of another shelf.

If the shelf is used with a bracket as illustrated in Figure 6, the projections 17 and 18 will be of the same width and will of course be spaced apart to correspond with the openings 14, 15 and 16 in the bracket.

The openings 7 in the bracket are for the purpose of receiving a rail 19. Such a rail may be made as a close helix of wire and may be placed through the holes of all the brackets associated with one row of shelving and may be fixed at each end by means of a screw such as 20 which forms a head to engage the bracket at the end of the row of shelving, the tension in the helical rail being sufficient to ensure that it will keep its position. The rail forms an elastic barrier and is of importance when the shelving is used in a ship or caravan.

The rails may be supplied in sectional lengths, and double-ended connectors may be provided for connecting together the sectional lengths of rail. Each double-ended connector may consist of a central portion with a threaded projection at both ends, the projections screwing into the ends of adjacent sections of the rail.

Having now particularly described and ascertained the nature of our said inven-

tion and in what manner the same is to be performed, we declare that what we claim is:—

1. A bracket for supporting shelving, the bracket having openings adapted to receive projections on the ends of two shelves, one on each side of the bracket.

2. Shelving consisting of brackets according to Claim 1 in combination with shelves having projections at their ends, said projections being staggered in relation to each other and being adapted for engagement in the openings in the brackets.

3. Shelving according to Claim 2, wherein the projection or projections at one end of each shelf are thicker than the projection or projections at the other end of the same shelf.

4. A bracket according to Claim 1 for supporting shelving, comprising an attachment portion, an upper portion or panel adapted to form a partition between adjacent shelves and a web below said upper portion and connected to the attachment portion, the bracket having one or more openings disposed between the upper portion and the web portion.

5. A bracket for supporting shelving according to Claim 1 or 4, wherein an opening is provided at or near the top forward corner for the purpose of receiving a rail.

6. The combination with shelving brackets as claimed in Claim 1, 4 or 5 of an elastic rail and means for attaching it to the brackets substantially as described.

7. Shelving having brackets substantially as described with reference to the accompanying drawings.

Dated the 26th day of February, 1932.

FORRESTER, KETLEY & Co.,

Chartered Patent Agents,

Central House,

75, New Street, Birmingham, and

Jessel Chambers,

88/90, Chancery Lane, London, W.C.2.

[This Drawing is a reproduction of the Original on a reduced scale.]

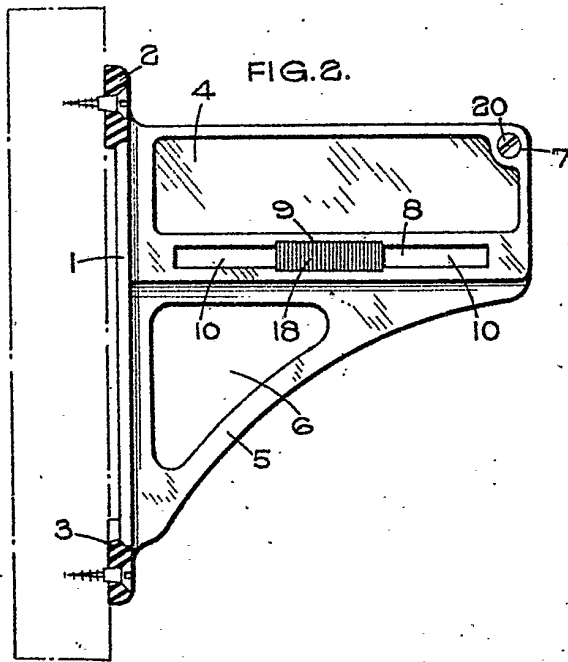


FIG. 2.

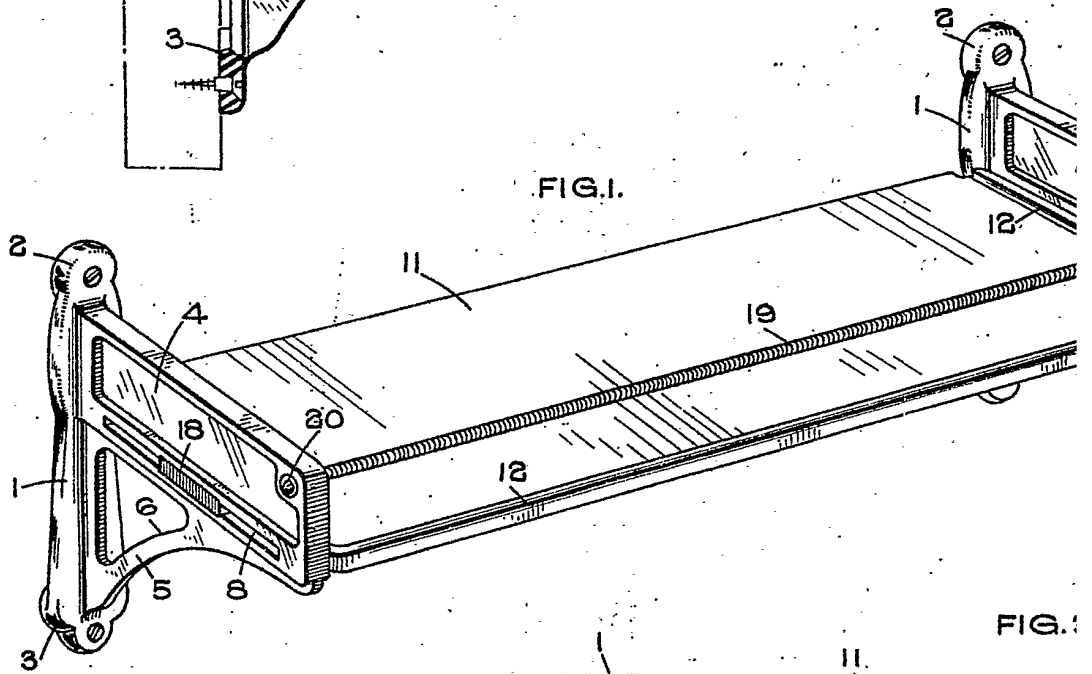


FIG. 1.

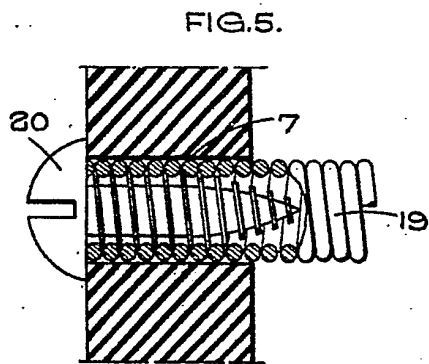


FIG. 5.

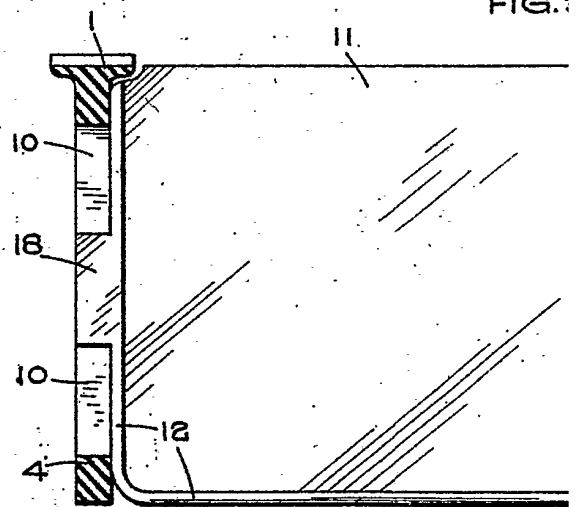
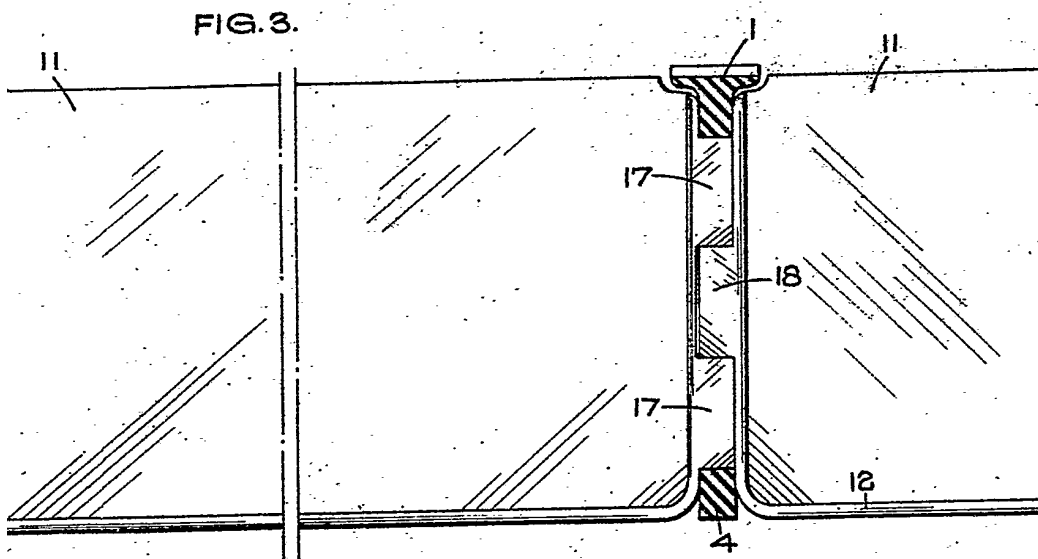
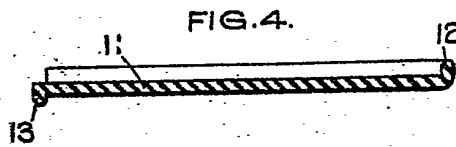
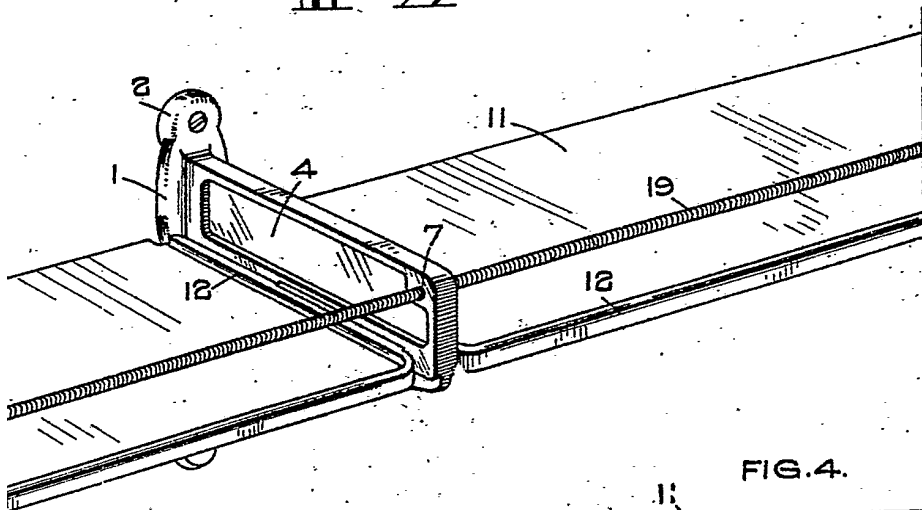
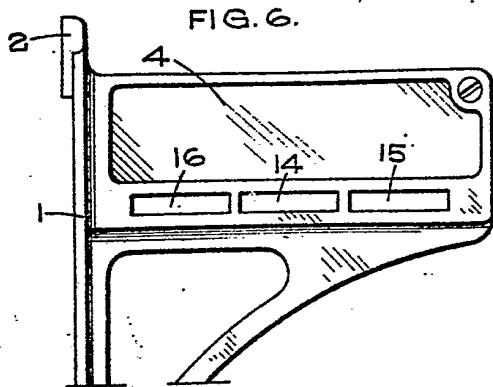


FIG. 4.



[This Drawing is a reproduction of the Original on a reduced scale.]

