

PATENT SPECIFICATION

380,675

Application Date: Dec. 24, 1931. No. 35,644/31

Complete Accepted: Sept. 22, 1932.

COMPLETE SPECIFICATION.



Improvements in Retaining Devices for Stair Carpets.

We, BROOKES & ADAMS, LIMITED, a Company organised under the Laws of Great Britain, of 250 to 252, Barr Street, Hockley, Birmingham, in the County of Warwick, and ARNOLD EDWIN BROOKES, a Subject of the King of Great Britain, of the same address, do hereby declare the nature of this invention and in what manner the same is to be performed, to be particularly described and ascertained in and by the following statement:—

This invention relates to retaining devices for stair carpets incorporating an arm for engagement with the carpet and a bracket for fixing to the stair, one part having an endwise push-in or push-on engagement with the other.

The object of the present invention is to provide an improved construction.

In accordance with the present invention one part is formed as, or provided with, a tapered socket, and the other part is formed as, or provided with, a tapered pin so that the device is assembled by pushing one part in or on to the other, and is characterised in that said socket completely surrounds said pin.

The arm may be constructed so that it engages the carpet at three positions, the arm having two sides at right angles to one another for engaging the carpet at two places and a head which is situated at the end of the arm which engages the carpet at a further place at some distance from the edge of the carpet.

In order that our invention may be clearly understood and more readily carried into practice, we have appended hereunto one sheet or drawings illustrating the same, wherein:—

Figure 1 is a perspective view showing one construction.

Figure 2 is a sectional view in side elevation.

Figure 3 is a sectional end view.

Figure 4 is a sectional view in side elevation showing a modification.

Figure 5 is a sectional side view showing a further modification.

In the constructions illustrated, either or both parts may be made of metal, wood or of moulded material such as synthetic resin or of other suitable material.

[Price 1/-]

As illustrated in Figures 1 to 3, the apparatus comprises a bracket 1 having attachment portions 2 and comprising a closed sided but open ended tapered socket 3, the larger end 4 of the socket being disposed towards the carpet.

The opposite end of the socket may be provided with an opening 5 through which a pin may be placed for knocking the arm 6 out of the socket if it should become fixed, or the hole 5 may be dispensed with and the smaller end of the socket may be closed.

The arm is preferably provided with a shoulder 13, and the arrangement may be as illustrated wherein a gap 17 is formed between this shoulder and the side of the bracket so that the arm can be removed from the bracket by using a coin inserted in the cap 17, the release being effected by a levering action.

As will be seen, the bracket member is formed with a lateral projection 7 forming a continuation of the socket.

The arm 6 comprises a stem 8 having two sides 9 and 10 which are at right angles to each other, and having the third side 11 of part-cylindrical form.

The stem 8 of the arm tapers so that the sides 9 and 10 engage the carpet only near its edge.

The stem of the arm terminates in an enlarged head 12 which may be of substantially grooved spherical form and which engages the carpet.

At the opposite end the arm is formed with a tapering pin portion 14, which is adapted to enter the tapered socket 3, the taper, being such that the arm will retain its position therein without additional securing means.

Either the bracket or the arm may be made of metal or of synthetic resin or other suitable material.

If the bracket is made of synthetic resin, a closed sided tapering socket 13 of metal shown in Figure 4 may be moulded therein. If the arm is made of moulded material such as synthetic resin, the tapering pin portion 14 may be formed of metal and it may have a shank which is moulded into the stem of the arm.

In the construction shown in Figure 5,

55

60

65

70

75

80

85

90

95

100

105

- the bracket 1 instead of being formed with a socket, is formed with a projecting pin portion 15 of tapering form, while the arm 6 has one end formed as a tapering socket 16. If the arm is made of synthetic resin or other moulded material, the socket 16 may be formed as a metal socket moulded into the arm.
- 10 It is to be understood that although we prefer to construct the socket and pin of circular section, this is not essential. They may be of square, hexagonal or other non-circular cross sectional shape.
- 15 Having now particularly described and ascertained the nature of our said invention, and in what manner the same is to be performed, we declare that what we claim is:—
- 20 1. A retaining device for stair carpets incorporating an arm for engaging the carpet, and a bracket for fixing to the stair, wherein one part is formed as, or provided with, a tapered socket, and the other part is formed as, or provided with, a tapered pin so that the device is assembled by pushing one part in or on to the other, characterised in that said socket completely surrounds said pin.
2. A retaining device for stair carpets according to Claim 1 wherein the stem of the arm engages the carpet by two substantially flat sides disposed at right angles to each other and by an enlarged head which is spaced away from the flat sides in a longitudinal direction.
3. A retaining device for stair carpets, substantially as described with reference to Figures 1 to 3, or Figure 4, or Figure 5 of the accompanying drawings.

Dated the 22nd day of December, 1931.

FORRESTER, KETLEY & Co.,

Chartered Patent Agents.

Central House, 75, New Street,

Birmingham, and

Jessel Chambers, 88/90, Chancery Lane,

London, W.C.2.

[This Drawing is a reproduction of the Original on a reduced scale.]

FIG. 1.

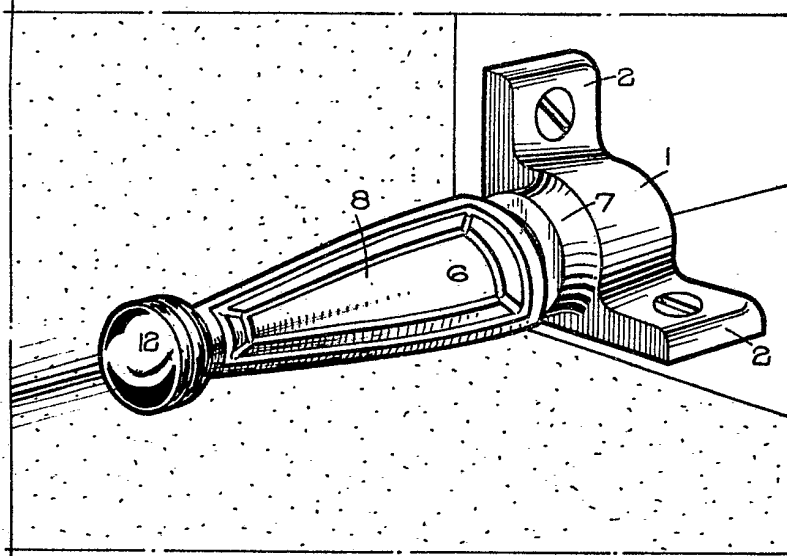


FIG. 2.

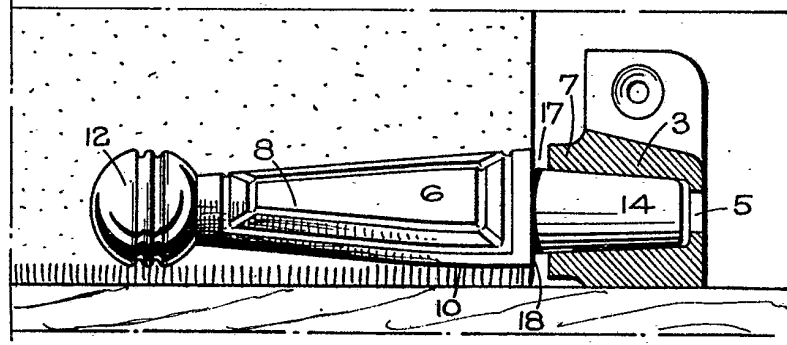


FIG. 3.

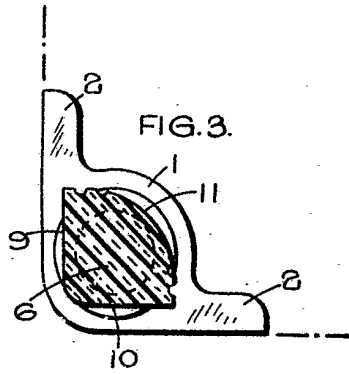


FIG. 4.

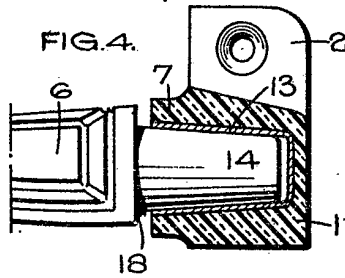


FIG. 5.

