

Application Date: Nov. 19, 1930. No. 34,793 / 30.

Complete Left: June 27, 1931.

Complete Accepted: Oct. 1, 1931.

PROVISIONAL SPECIFICATION.



Improvements in or relating to Cigarette, Cigar, or like Extinguishing Devices.

We, ARNOLD EDWIN BROOKES, a Subject of the King of Great Britain, and BROOKES AND ADAMS LIMITED, a Company organised under the Laws of Great Britain, both of 250, 252, Barr Street, Hockley, Birmingham, in the County of Warwick, do hereby declare the nature of this invention to be as follows:—

This invention relates to device for extinguishing cigarettes, cigars, or the like and has for its object the provision of a device for this purpose of an improved and simplified construction and which will be more effective in use than those hitherto constructed.

According to one of the features of the present invention we provide a device for the above purpose including two members, at least one of which is movable towards the other member so as to grip the end of the cigarette or cigar when desired and so extinguish same.

The one member is preferably fixed and may be in the form of a boss or platform upon which the end of the cigarette or the like is adapted to rest, the remaining member being movable under the control of the thumb or finger.

A further feature of the invention is to combine such a cigarette, cigar, or like extinguishing device with an ash tray.

The movable member may be in the form of a depressable knob which can be moved to grip the end of the cigarette, or the like and spring means may be provided associated with the knob for returning it to its normal position.

The movable member may serve as a stop or abutment upon which a pipe can be knocked out.

In one construction as applied to an ash tray the tray which may be of any suitable form is provided with an upwardly projecting boss, the upper end of which forms a platform upon which the end of the cigarette or the like is adapted to rest, the boss having a hole or opening which is substantially vertical and is adapted to receive a projecting spigot upon the underside of a knob which can be moved downwardly so as to contact with the upper surface of the boss when desired.

The knob is preferably held in a raised

position in which it is spaced from the upper surface of the boss by suitable spring means and such means may include a coil spring disposed within the hole or opening in the boss and engaging the lower extremity of the downwardly projecting spigot portion.

The lower extremity of the spigot may have a portion which is of reduced diameter and is adapted to enter the endmost coil of the spring, the spring gripping the spigot sufficiently to retain the spigot and its associated knob in their correct position.

The upper surface of the boss is preferably of substantially part conical form with a raised rim to keep ash from getting into the spring portion, the undersurface of the knob being similarly shaped, this arrangement causing any ash, cigarette ends, or other matter which may have collected upon the upper surface of the boss to fall therefrom into the surrounding tray.

The spring may be disposed within a downwardly projecting tubular portion of the boss and this tubular portion may be permanently closed at its lower end if desired.

The ash tray may be formed from any material desired such as synthetic resin, crock, metal, or other suitable material and if desired the knob and its associated parts may be constructed in a similar manner.

If formed from metal the tray may be in the form of a sheet metal pressing whilst further the knob and spigot may also if desired be constructed from the same material.

Alternatively in the case of an ash tray not formed of metal, the upper surface of the boss may be provided with a protective covering layer of metal or refractory material which will be unaffected by the lighted cigarettes or the like placed thereon. In addition the knob may if desired be constructed from a similar substance.

The ash tray itself may be of any suitable form and may if desired be of substantially bowl like form having a surrounding peripheral rim, having a central boss like portion for receiving the ends of

the cigarettes or the like and also forming a support for the depressable extinguishing knob.

5 Instead of employing an extinguishing device in the form of a knob, the extinguisher may be of any other suitable construction employing two members, at least one of which is movable towards the other member so as to grip the end of the
10 cigarette, cigar, or the like.

Dated the 15th day of November, 1930.

FORRESTER, KETLEY & Co.,
Chartered Patent Agents,
Central House, 75, New Street,
Birmingham, and
Jessel Chambers, 88/90, Chancery Lane,
London, W.C. 2.

COMPLETE SPECIFICATION.

Improvements in or relating to Cigarette, Cigar, or like Extinguishing Devices.

We, ARNOLD EDWIN BROOKES, a Subject of the King of Great Britain, and BROOKES AND ADAMS LIMITED, a Company organised under the Laws of Great
15 Britain, both of 250, 252, Barr Street, Hockley, Birmingham, in the County of Warwick, do hereby declare the nature of this invention and in what manner the same is to be performed, to be particularly
20 described and ascertained in and by the following statement:—

This invention concerns a device for extinguishing lighted cigars, cigarettes, and the like, the device being of the type comprising a pair of members movable relatively to one another and between which
25 the end of a cigar, cigarette or the like may be pinched to extinguish it. In one construction of such type one of the members was detachably incorporated in an ash tray and the other member had a stem slidable in a guide tube associated therewith and normally the one member
30 rested on the other and had to be separated by hand. The object of this invention is to provide an improved device of the said type.

According to one of the features of this invention there is provided a device for
40 extinguishing lighted cigars, cigarettes and the like comprising a platform and a pressure applying member or knob movable towards said platform but normally urged and spaced therefrom, the arrangement
45 being such that the lighted end of a cigarette may be placed between the platform and the pressure member and extinguished by pressing the latter towards the former.

50 The pressure applying member may serve as a stop or abutment upon which a pipe can be knocked out.

In order that our invention may be
55 clearly understood and more readily carried into practice, we have appended hereto one sheet of drawings illustrating the same, wherein:—

Figure 1 is a perspective view of a device constructed according to this invention.

Figure 2 is a cross section of the same. In the construction illustrated by the accompanying drawings, 1 is an ash tray of circular bowl like form which is provided with an annular receptacle 2 and raised hollow part 3 provided with a platform 4 at its upper end.

The platform 4 is provided with a central hole 5 and a depending hollow boss 6 coaxial with the hole 5 and in the boss 6 is mounted a coil spring 7 of slightly conical form, the larger and lower end of the spring being anchored by wedging it in the lower end of the boss 6 whilst the upper and smaller end of the spring 7 tightly embraces a reduced portion 8 of a stem 9 provided with a knob 10, the spindle 9 being mounted in the hole 5 and boss 6 for slidable movement therein.

The knob 10 is of a diameter approximating to the diameter of the raised part 3 of the ash tray and is undercut at 11 on its undersurface and provided with an annular recess 12 also on its undersurface to clear a raised annular portion 13 provided on the platform 4 around the hole 5. The upper surface of the platform 4 is inclined as described in order that ash and the like will roll therefrom into the receptacle 2 and the annular shoulder 13 is provided to prevent ash falling between the stem 9 and the walls of the hole 5 and inner walls of the boss 6.

The knob 10 is normally spaced from the platform 4 by the spring 7 but its stem is prevented from being withdrawn entirely from the boss 6 by the spring 7.

In operation the lighted end of a cigarette is rested on the platform 4 and the knob 10 is depressed so as to trap the end of the cigarette between the platform 4 and the undersurface 11 of the knob 10 and to thereby extinguish the cigarette. The device can of course be used with other

60

65

70

75

80

85

90

95

100

lighted articles of a nature more or less similar to a cigarette.

Conveniently the device is moulded in a material such as synthetic resin but it may of course be made in other materials and where the material from which it is made is mainly susceptible to damage by heat, it may be covered by a material not so susceptible such as for example, sheet metal.

Obviously variations may be made in the shape of the ash tray, the platform, and the knob and generally in the construction of the device without departing from the scope of the appended claims, and for example the platform 4 may be disposed at one side of the ash tray instead of at the centre thereof, or the extinguisher may be constructed entirely separate of the ash tray. Suitable ornaments may, of course be applied to the device, as for example annular roughenings 14 and 15 may be provided respectively on the knob 10 and flange 16 provided on the ash tray, the centre knob 10 is preferably provided with a plain and more or less flat portion 17 upon which a pipe may be knocked for emptying the pipe.

Instead of employing an extinguishing device in the form of a knob, the extinguisher may be of any other suitable construction employing two members, at least one of which is movable towards the other member so as to grip the end of the cigarette, cigar, or the like.

Having now particularly described and ascertained the nature of our said invention and in what manner the same is to be performed, we declare that what we claim is:—

1. A device for extinguishing lighted cigars, cigarettes and the like comprising a platform and a pressure applying member or knob movable towards said platform but normally urged and spaced therefrom, the arrangement being such that the lighted end of a cigarette may be placed between the platform and the pressure member and extinguished by pressing the latter towards the former.

2. A device for extinguishing cigarettes, cigars, and the like according to Claim 1 wherein the said pressure member is normally urged from the platform by spring means.

3. A device for extinguishing cigarettes,

cigars, and the like comprising a boss or platform and a knob or pressure plate having a stem slidable in a guide provided in or adjacent the platform, a spring being provided to normally retain the knob and platform apart or spaced.

4. A device for extinguishing cigarettes, cigars, and the like according to Claim 2 or 3 wherein the spring connects the two members together.

5. A device for extinguishing cigarettes, cigars, and the like according to any of the preceding claims, wherein the extinguishing device is combined with an ash tray.

6. A device for extinguishing cigarettes, cigars, and the like comprising an ash tray of bowl like form having a raised hollow platform, a tubular boss dependent from the underside thereof, a knob or pressure plate provided with a stem on its undersurface, which stem is adapted to slide in the said tubular boss, and a spring mounted in said tubular boss and connecting the said stem thereto and in addition normally retaining the knob and the said raised platform apart, and the underside of the knob and the upper surface of the platform being constructed so that the end of a cigarette, cigar, or the like may be placed between these parts and extinguished by pressing the parts together.

7. A device for extinguishing cigarettes, cigars, and the like according to any of the preceding claims, wherein the upper surface of the platform is inclined downwards and outwards to cause deposits thereon to fall therefrom and into an ash tray where provided.

8. A device for extinguishing cigarettes, cigars, and the like according to any of Claims 2 to 7, wherein the said spring is of conical coiled form as and for the purposes specified.

9. A device for extinguishing cigarettes, cigars, and the like, substantially as herein described and as illustrated in the annexed drawings and subject to the modifications referred to.

Dated the 15th day of June, 1931.

FORRESTER, KETLEY & Co.,

Chartered Patent Agents,

Central House, 75, New Street,

Birmingham, and

Jessel Chambers, 88/90, Chancery Lane,

London, W.C. 2.

[This Drawing is a reproduction of the Original on a reduced scale.]

FIG. 1.

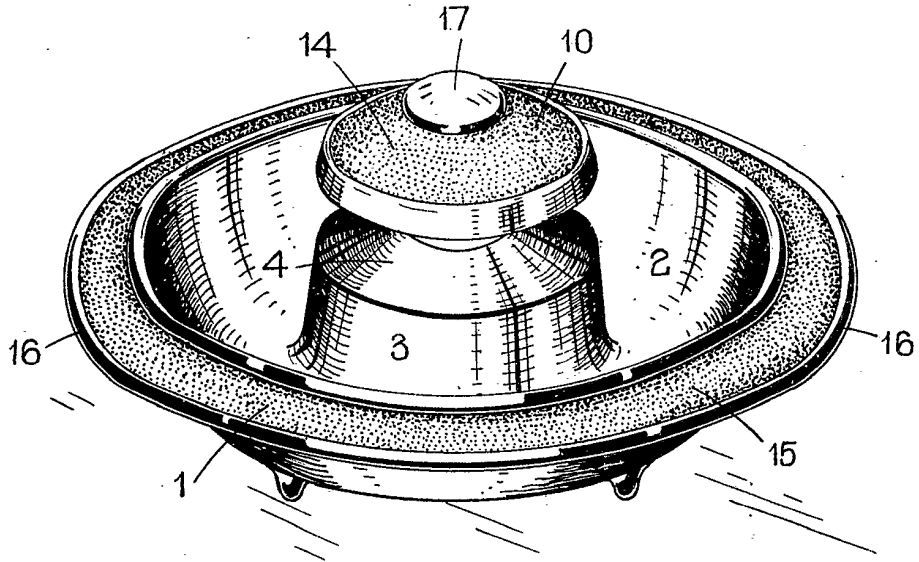


FIG. 2.

